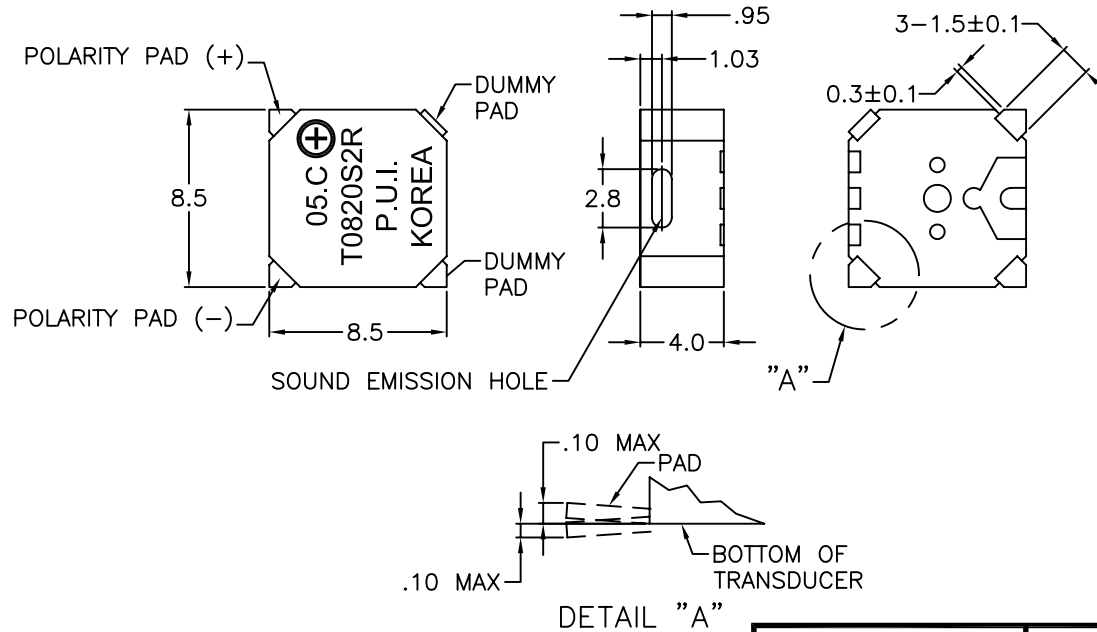


THIS DOCUMENT CONTAINS DATA PROPRIETARY TO PROJECTS UNLIMITED, INC. ANY USE OR REPRODUCTION, IN ANY FORM, WITHOUT PRIOR WRITTEN PERMISSION OF PROJECTS UNLIMITED, INC. IS PROHIBITED.  
 © 2003, Projects Unlimited Inc.

### SPECIFICATIONS

PARAMETERS	VALUES	UNITS
RATED VOLTAGE (SQUARE WAVE)	5	Vp-p
OPERATING VOLTAGE RANGE	4 ~ 6	Vp-p
RATED CURRENT (MAX)	70	mA
COIL RESISTANCE	32±5	OHM
MINIMUM SPL @ 10 CM	85	dB
RESONANT FREQUENCY	2,000±500	Hz
OPERATING TEMPERATURE	-30 ~ +70	°C
STORAGE TEMPERATURE	-40 ~ +85	°C
HOUSING MATERIAL	LCP	-
TERMINAL MATERIAL	Tin Plated Phosphor Bronze	-
WEIGHT	.42	grams

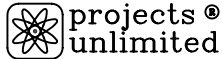
REVISIONS			
LTR	DESCRIPTION	DATE	APPROVED
-	RELEASED FROM ENGINEERING	4/1/05	
A	ADDED RoHS COMPLIANCE NOTE	8/10/05	



**NOTES:**

1. ALL DIMENSIONS ARE IN MILLIMETERS.
2. SPECIFICATION SUBJECT TO CHANGE OR WITHDRAWAL WITHOUT NOTICE.
3. THIS PART IS RoHS 2002/95/EC COMPLIANT.

FILE NAME  
SMT-0820-S-R.DWG

UNLESS OTHERWISE SPECIFIED: DIMENSIONS ARE IN MILLIMETERS, TOLERANCES ARE ±0.5 AND ANGLES ARE ±3°.		 projects® unlimited Dayton, Ohio	
APPROVALS		DATE	
DRAWN	G. V.	3/31/05	
CHECKED	E. P.	4/1/05	
APPROVED	R. W.	4/1/05	
DO NOT SCALE DRAWING		SIZE A	DRAWING NO. SMT-0820-S-R
		SCALE: N.T.S.	SHEET 1 OF 1

TRANSducer (ELECTRO-MECH)